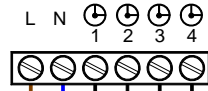
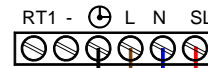


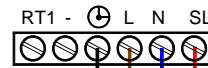
4 CHANNEL TIME CLOCK (Part No. JGTM4)



SET BACK DIAL THERMOSTAT ZONE 1 / TIME CHANNEL 1 (Part No. JGDSSB)



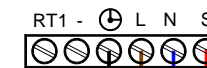
SET BACK DIAL THERMOSTAT ZONE 2 / TIME CHANNEL 1 (Part No. JGDSSB)



SET BACK DIAL THERMOSTAT ZONE 3 / TIME CHANNEL 1 (Part No. JGDSSB)



SET BACK DIAL THERMOSTAT ZONE 8 (Rads) / TIME CHANNEL 2 (Part No. JGDSSB)



OPTION TO USE TIME CHANNELS 3 & 4 FOR ADDITIONAL CONTROLS (See Note 3)



Optional Cylinder Stat



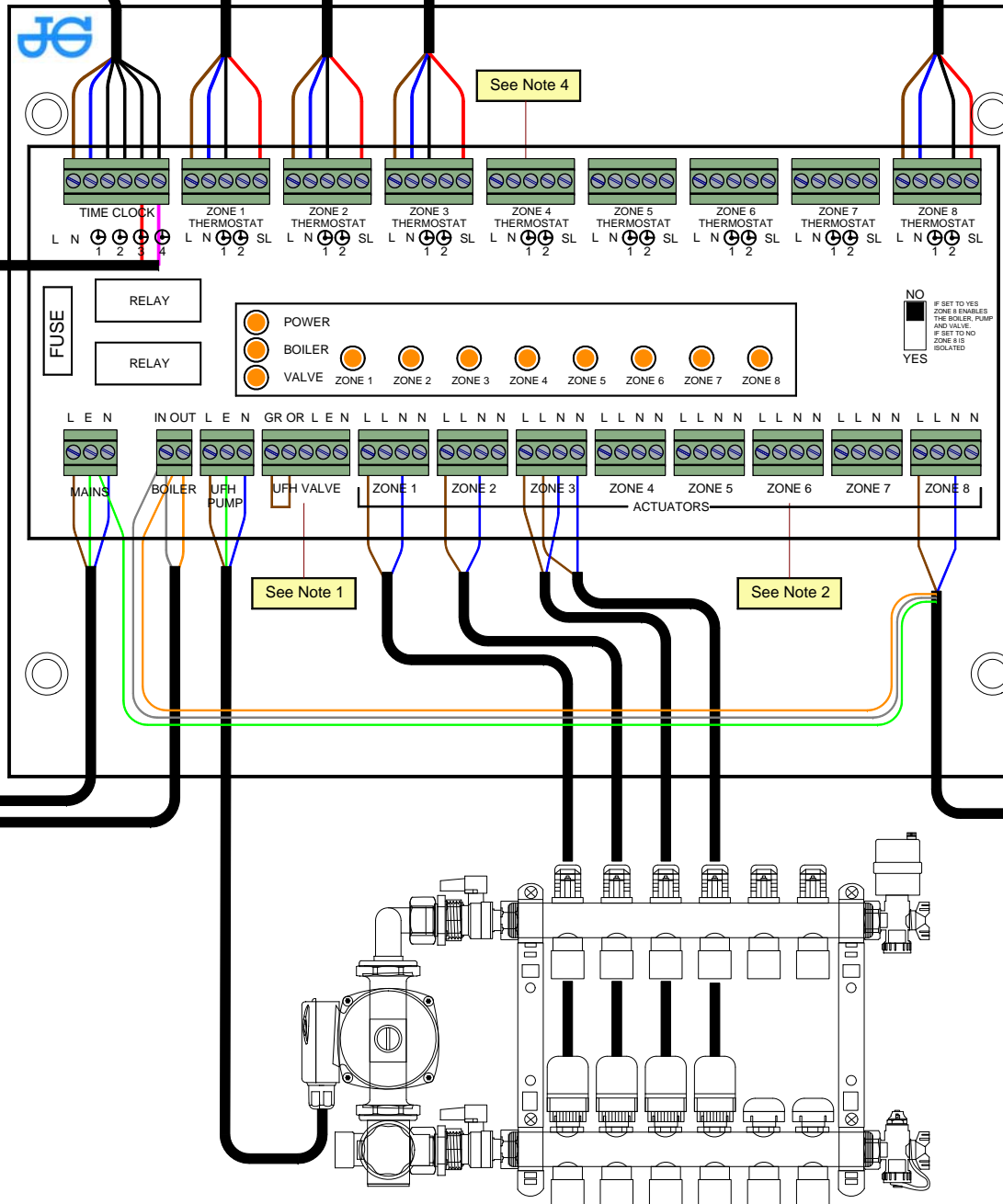
Optional Towel Rail Circuit



3 Amp Fused Spur



Boiler



UNDERFLOOR HEATING MANIFOLD

Optional Radiator Zone Valve (See Note 5)



240v 8 Zone Underfloor Heating Wiring Centre

Notes

Note 1

Optional UFH Manifold Zone Valve used only to prevent flow of water to manifold when UFH is off and another circuit is in operation.

If Zone Valve is not used a link needs to be placed between motorised valve connections marked GR & OR to enable boiler firing.

Note 2

Up to 2 Actuators can be connected to the same terminal. ie max 4 actuators per zone block.

Note 3

When using the 4 Channel Time Clock (JGTM4) Channel 3 & 4 can be used for controlling the on/off switching time for hot water, radiators or towel rail circuits.

Note 4

**Set Back Function**  
The set back function is a simple way of reducing energy costs by automatically reducing the set temperature when the heating is timed to be off.

Standard dial thermostats are either on or off. A Set Back Thermostat is different as it has 2 temperatures. (High & Set-back). When Setback mode is activated from the TM4 Time Clock, the thermostat will automatically reduce the temperature by 4°C.

2 time channels are provided 1 2 to allow 2 different setback time periods to be set.

Multiple thermostats can be grouped together on each time channel to allow different rooms to work together.

eg. Bedrooms 1 and Living Areas 2

Note 5

**Radiator Zone Control**  
A simple slide switch makes zone 8 suitable for controlling a radiator zone. When used for controlling radiators, zone 8 will enable the actuator terminals but does not enable the underfloor heating pump, valve and boiler.



JG Speedfit Ltd., Horton Road West Drayton, Middlesex, UB7 8JL  
Tel: 01895 440233 Fax: 01895 420321  
www.speedfit.co.uk ufh@johnquest.co.uk  
Technical Helpline 01895 425333 Electrical Installation Helpline 01254 776343

JGUH3 Wiring Diagram used with Set Back Dial Thermostats (JGDSSB)